



Bathtub - CL.1

Two-way diverter - polished chrome

Article number: 29 126 740-00

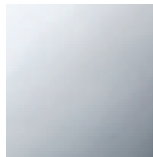


- Manual diverter
- 1-1/2" hole diameter
- Without flange
- Handle Ø 2-3/8"
- 1/2" connection
- Water flow rate limited to max. 6.2 gpm

Codes & Standards

- California Energy Commission (CEC)
- ASME A112.18.1/CSA B125.1

- Fittings group in compliance with DIN 4109: 2



polished chrome

Discontinued items available to order until 31.12.9999

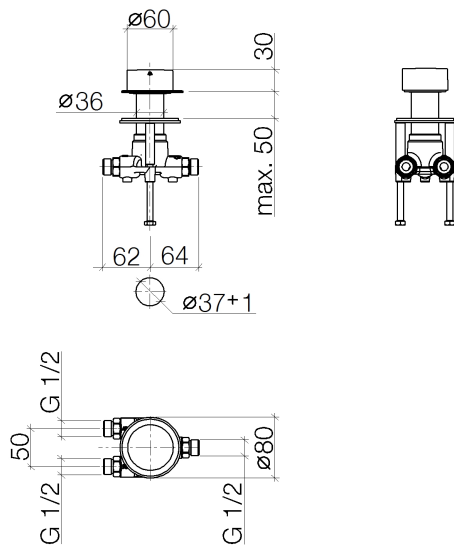


Bathtub - CL.1

Two-way diverter - polished chrome

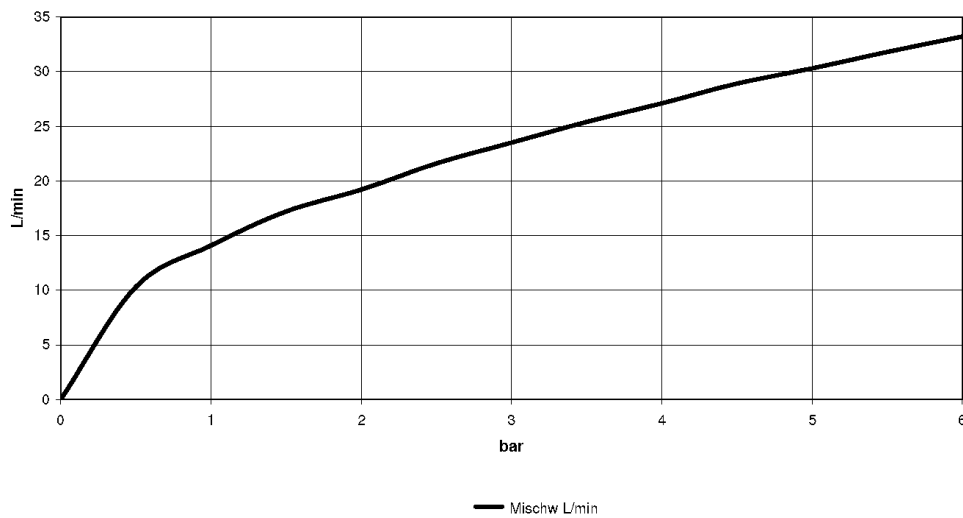
Article number: 29 126 740-00

Dimensional drawing



All dimensions in mm / inch = mm x 0,0394

Flow rate chart





Bathtub - CL.1

Two-way diverter - polished chrome

Article number: 29 126 740-00

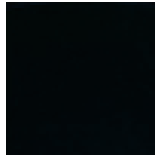
Other surface finishes



platinum matte
29 126 740-06



Brushed Durabronze
29 126 740-28



black matte
29 126 740-33



Dark Platinum matte
29 126 740-99

More custom finish options are available via special production (xTra Service). Please see our finish matrix for availability and pricing or contact a Dornbracht representative.



12 509 970-90 0010

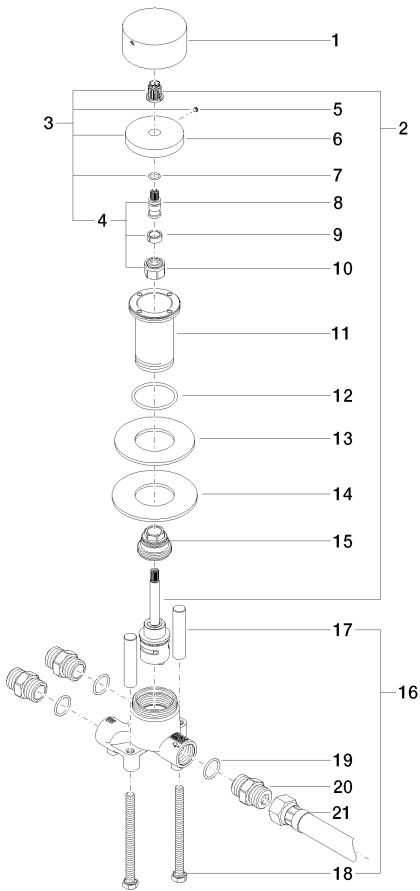
Hose set -

Bathtub - CL.1

Two-way diverter - polished chrome

Article number: 29 126 740-00

Spare parts list



Number	Item Number	Designation	Number of units
1	09 20 74 007-00	handle	1
2	90 90 03 161 00 90	diverter	1
3	04 27 74 002 00-00	rosette	1
4	04 29 06 020 00-00	spindle	1
5	09 31 11 055 90	pin	1
6	09 27 74 002-00	rosette	1
7	09 14 10 060 90	seal	1
8	09 29 06 020-00	spindle	1
9	09 14 15 020 90	ring	1
10	09 23 30 023 90	nut	1
11	09 30 01 105 90	sleeve	1
12	09 14 10 143 90	seal	1
13	09 14 05 059 90	seal	1
14	09 30 11 136 90	disc	1
15	09 24 04 223 90	nipple	1
16	04 30 30 153 00 90	fixing set	1
17	09 18 40 114 90	sleeve	2
18	09 30 30 153 90	screw	2
19	09 14 10 010 90	seal	3
20	09 24 03 168 10 90	nipple	3
21	12 503 970 90	Flexible supply line 1/2" x 1/2" x 23-5/8" -	1